

*bd*GDB

JTAG debug interface for GNU Debugger

QorIQ P4



User Manual

Manual Version 1.00 for BDI2000

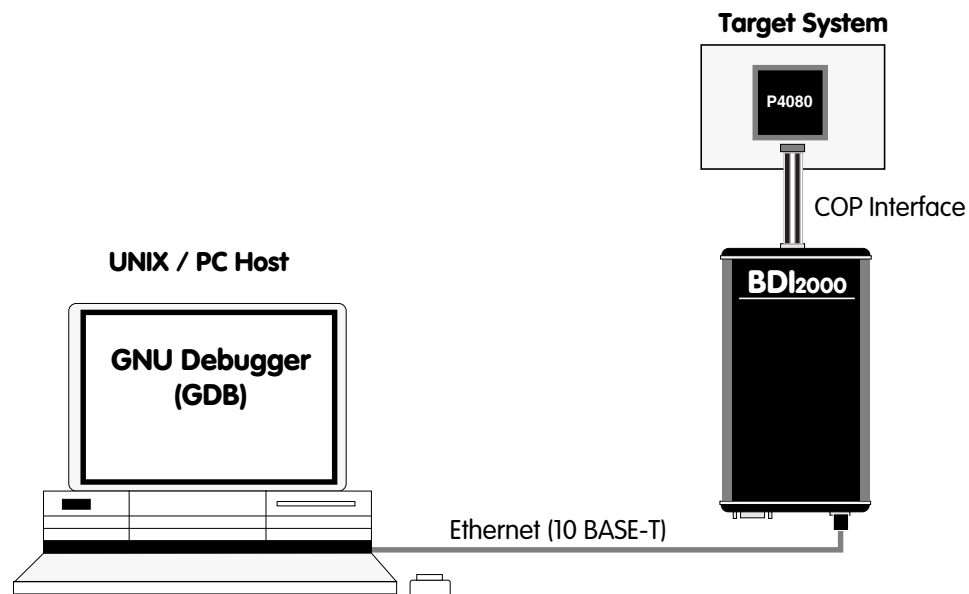
1 Introduction	3
1.1 BDI2000.....	3
1.2 BDI Configuration	4
2 Installation	5
2.1 Connecting the BDI2000 to Target	5
2.1.1 Changing Target Processor Type	7
2.2 Connecting the BDI2000 to Power Supply	8
2.3 Status LED «MODE».....	9
2.4 Connecting the BDI2000 to Host	10
2.4.1 Serial line communication	10
2.4.2 Ethernet communication	11
2.5 Initial configuration of the bdiGDB system.....	12
2.5.1 Configuration with a Linux / Unix host.....	13
2.5.2 Configuration with a Windows host.....	15
2.5.3 Recover procedure.....	16
2.6 Testing the BDI2000 to host connection.....	17
2.7 TFTP server for Windows.....	17
3 Using bdiGDB	18
3.1 Principle of operation.....	18
3.2 Configuration File.....	19
3.2.1 Part [INIT].....	20
3.2.2 Part [TARGET].....	23
3.2.3 Part [HOST].....	27
3.2.4 Part [FLASH].....	29
3.2.5 Part [REGS]	33
3.3 Debugging with GDB	35
3.3.1 Target setup	35
3.3.2 Connecting to the target.....	35
3.3.3 GDB monitor command.....	35
3.3.4 Target serial I/O via BDI.....	36
3.3.5 Embedded Linux MMU Support	37
3.4 Telnet Interface.....	39
3.5 Multi-Core Support.....	42
4 Specifications	44
5 Environmental notice.....	45
6 Declaration of Conformity (CE).....	45
7 Warranty.....	46
 Appendices	
A Troubleshooting	47
B Maintenance	48
C Trademarks	50

1 Introduction

bdiGDB enhances the GNU debugger (GDB), with JTAG/COP debugging for QorIQ P4 based targets. With the built-in Ethernet interface you get a very fast code download speed. No target communication channel (e.g. serial line) is wasted for debugging purposes. Even better, you can use fast Ethernet debugging with target systems without network capability. The host to BDI communication uses the standard GDB remote protocol.

An additional Telnet interface is available for special debug tasks (e.g. force a hardware reset, program flash memory).

The following figure shows how the BDI2000 interface is connected between the host and the target:



1.1 BDI2000

The BDI2000 is the main part of the bdiGDB system. This small box implements the interface between the JTAG pins of the target CPU and a 10Base-T Ethernet connector. The firmware and the programmable logic of the BDI2000 can be updated by the user with a simple Windows based configuration program. The BDI2000 supports 1.8 – 5.0 Volts target systems (3.0 – 5.0 Volts target systems with Rev. B).

1.2 BDI Configuration

As an initial setup, the IP address of the BDI2000, the IP address of the host with the configuration file and the name of the configuration file is stored within the flash of the BDI2000. Every time the BDI2000 is powered on, it reads the configuration file via TFTP.

Following parts of an example of a typical configuration file:

```
;bdiGDB configuration file for P4080-DS
;-----
;
[INIT]
; Initialize LAWBAR's
WM32 0xfe000c00 0x00000000 ;LAWBAR0 : Flash @0_e0000000
WM32 0xfe000c04 0xe0000000
WM32 0xfe000c08 0x81f0001b ;LAWAR0 : eLBC 256MB

.....

; Release cores for booting
WM32 0xfe0E00E4 0x00000003 ;BRR: release core 0 and 1
;
;
[TARGET]
; common parameters
POWERUP 5000 ;start delay after power-up detected in ms
JTAGCLOCK 1 ;use 8 MHz JTAG clock
WAKEUP 1000 ;give reset time to complete
;
; CoreID#0 parameters (active vCPU after reset)
#0 CPUTYPE P4080 0 0 ;Core0 / SOC0
#0 STARTUP HALT ;halt at the reset vector (this halts all cores !!!)
;
; CoreID#1 parameters
#1 CPUTYPE P4080 1 0 ;Core1 / SOC0
#1 STARTUP HALT ;halt at the reset vector
;

[HOST]
IP 151.120.25.112
FILE E:\temp\dumpl024k.bin
FORMAT BIN 0x10000
;
#0 PROMPT P4080#0>
#1 PROMPT P4080#1>
;

[FLASH]
; only to test execution of target code
WORKSPACE 0x80001000 ;workspace in CPC1/SRAM
CHIPTYPE AM29BX16 ;Flash type
CHIPSIZE 0x00200000 ;The size of one flash chip in bytes
BUSWIDTH 16 ;The width of the flash memory bus in bits
FILE E:\temp\dumpl6k.bin
FORMAT BIN 0x00300000

[REGS]
FILE $regP4080.def
```

Based on the information in the configuration file, the target is automatically initialized after every reset.

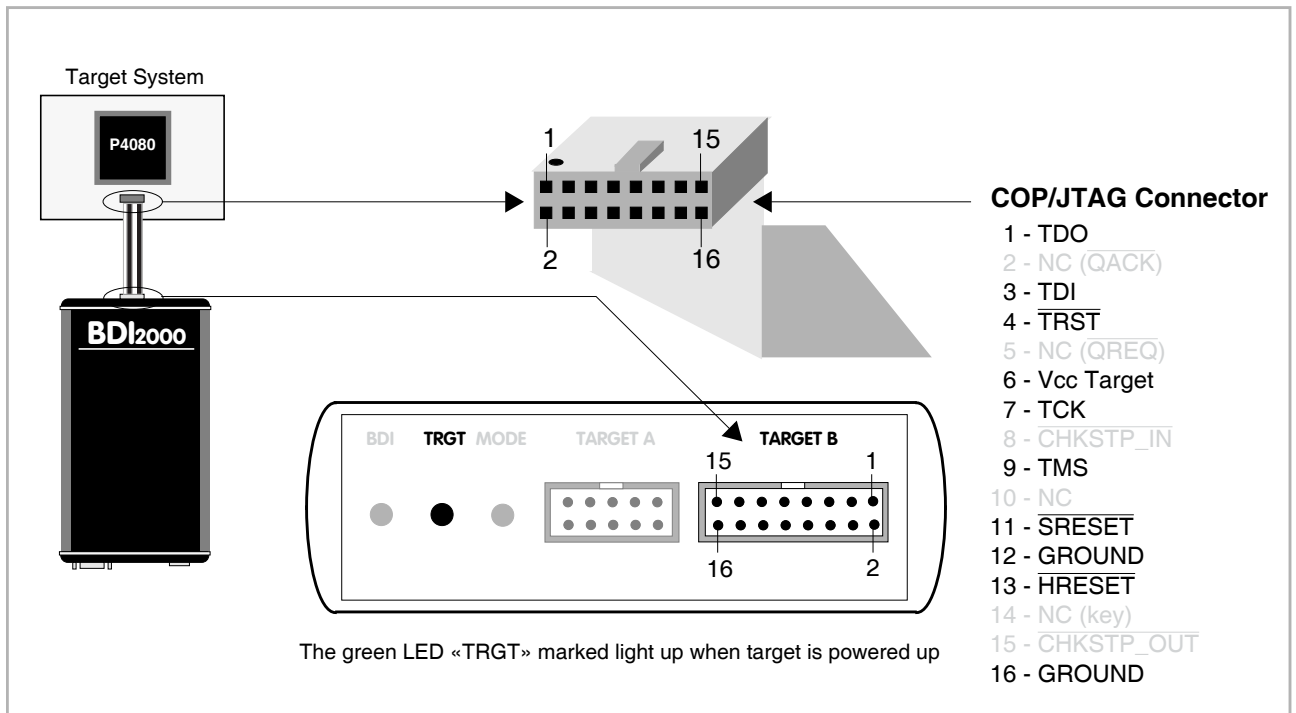
2 Installation

2.1 Connecting the BDI2000 to Target

The cable to the target system is a 16 pin flat ribbon cable. In case where the target system has an appropriate connector, the cable can be directly connected. The pin assignment is in accordance with the COP connector specification.



In order to ensure reliable operation of the BDI (EMC, runtimes, etc.) the target cable length must not exceed 20 cm (8").



For BDI TARGET B connector signals see table on next page.

BDI TARGET B Connector Signals:

Pin	Name	Description
1	TDO	JTAG Test Data Out This input to the BDI2000 connects to the target TDO pin.
2	IO2	General purpose I/O Currently not used.
3	TDI	JTAG Test Data In This output of the BDI2000 connects to the target TDI pin.
4	$\overline{\text{TRST}}$	JTAG Test Reset This output of the BDI2000 resets the JTAG TAP controller on the target.
5	IN0	General purpose Input Currently not used.
6	Vcc Target	1.8 – 5.0V: This is the target reference voltage. It indicates that the target has power and it is also used to create the logic-level reference for the input comparators. It also controls the output logic levels to the target. It is normally connected to Vdd I/O on the target board. 3.0 – 5.0V with Rev. B : This input to the BDI2000 is used to detect if the target is powered up. If there is a current limiting resistor between this pin and the target Vdd, it should be 100 Ohm or less.
7	TCK	JTAG Test Clock This output of the BDI2000 connects to the target TCK pin.
8	IO8	General purpose I/O This output of the BDI2000 connects to the target CKSTP_IN pin. Currently not used.
9	TMS	JTAG Test Mode Select This output of the BDI2000 connects to the target TMS line.
10	IO10	General purpose I/O Currently not used.
11	$\overline{\text{SRESET}}$	Soft-Reset This open collector output of the BDI2000 connects to the target SRESET pin.
12	GROUND	System Ground
13	$\overline{\text{HRESET}}$	Hard-Reset This open collector output of the BDI2000 connects to the target HRESET pin.
14	<reseved>	
15	IN1	General purpose Input This input to the BDI2000 connects to the target CKSTP_OUT pin. Currently not used.
16	GROUND	System Ground

2.1.1 Changing Target Processor Type

Before you can use the BDI2000 with an other target processor type (e.g. CPU32 <--> PPC), a new setup has to be done (see chapter 2.5). During this process the target cable must be disconnected from the target system. The BDI2000 needs to be supplied with 5 Volts via the BDI OPTION connector (Version A) or via the POWER connector (Version B). For more information see chapter 2.2.1 «External Power Supply».



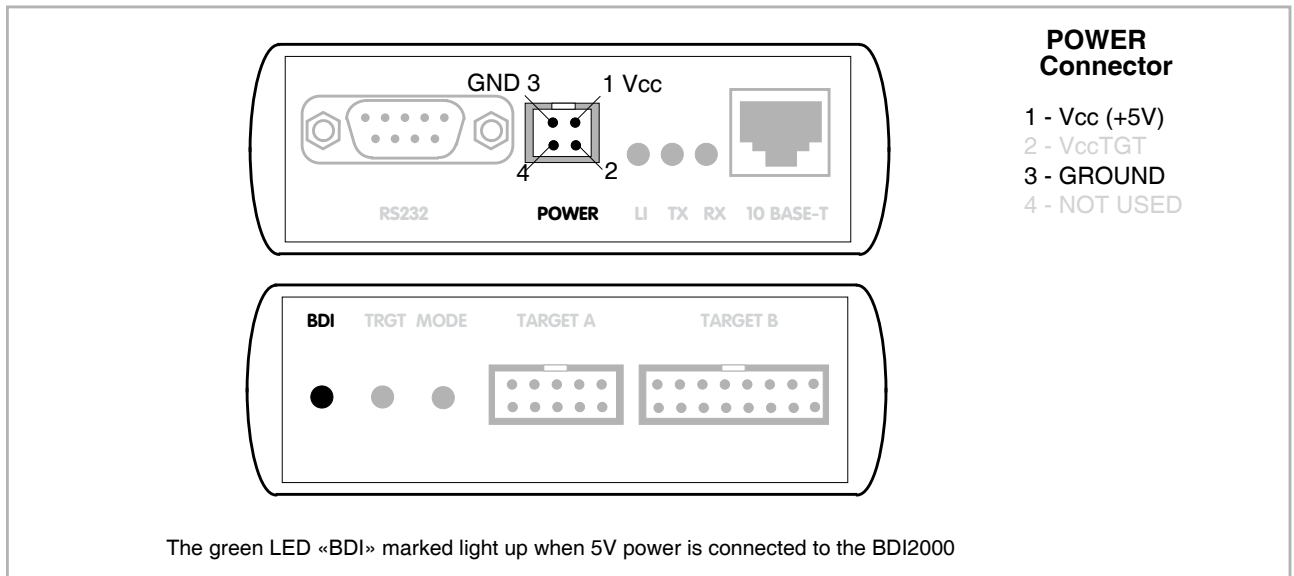
To avoid data line conflicts, the BDI2000 must be disconnected from the target system while programming the logic for an other target CPU.

2.2 Connecting the BDI2000 to Power Supply

The BDI2000 needs to be supplied with 5 Volts (max. 1A) via the POWER connector. The available power supply from Abatron (option) or the enclosed power cable can be directly connected. In order to ensure reliable operation of the BDI2000, keep the power supply cable as short as possible.



For error-free operation, the power supply to the BDI2000 must be between 4.75V and 5.25V DC. **The maximal tolerable supply voltage is 5.25 VDC. Any higher voltage or a wrong polarity might destroy the electronics.**

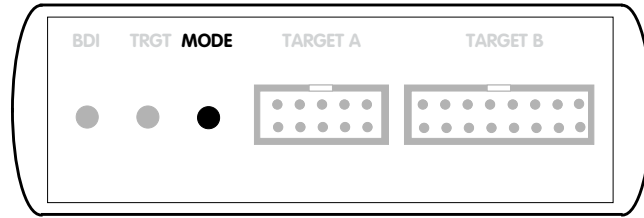


Please switch on the system in the following sequence:

- 1 --> external power supply
- 2 --> target system

2.3 Status LED «MODE»

The built in LED indicates the following BDI states:



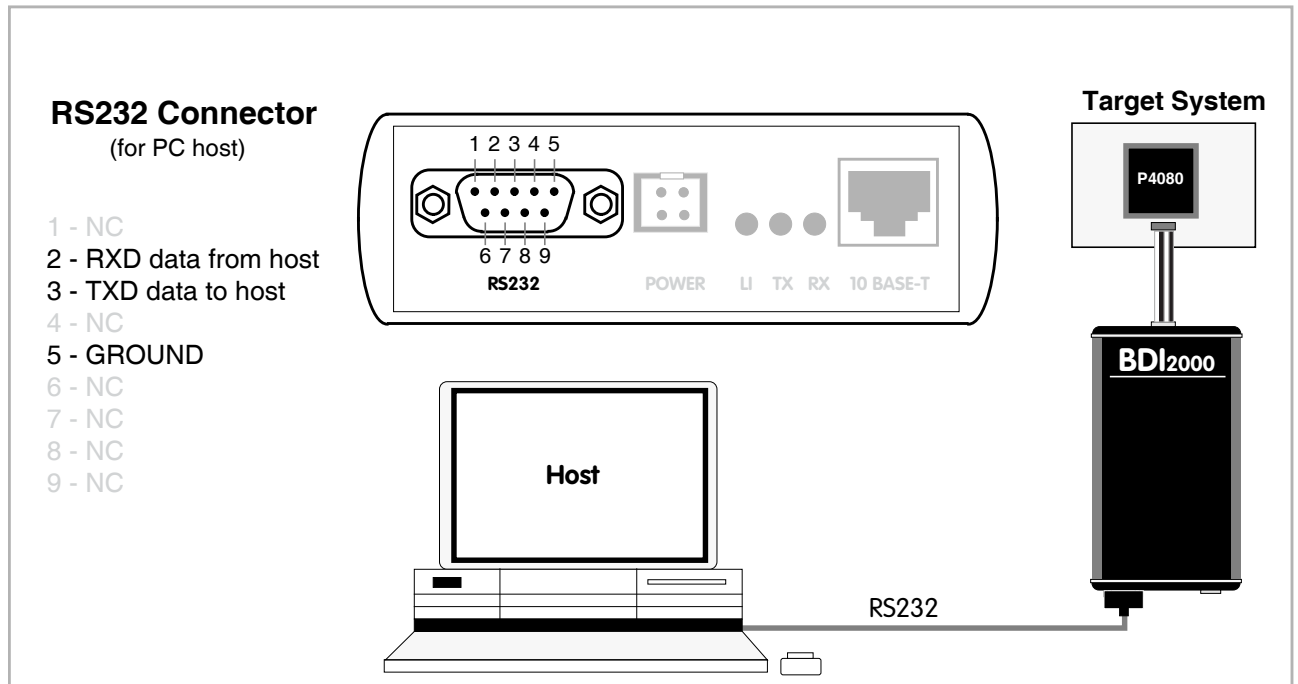
MODE LED	BDI STATES
OFF	The BDI is ready for use, the firmware is already loaded.
ON	The power supply for the BDI2000 is < 4.75VDC.
BLINK	The BDI «loader mode» is active (an invalid firmware is loaded or loading firmware is active).

2.4 Connecting the BDI2000 to Host

2.4.1 Serial line communication

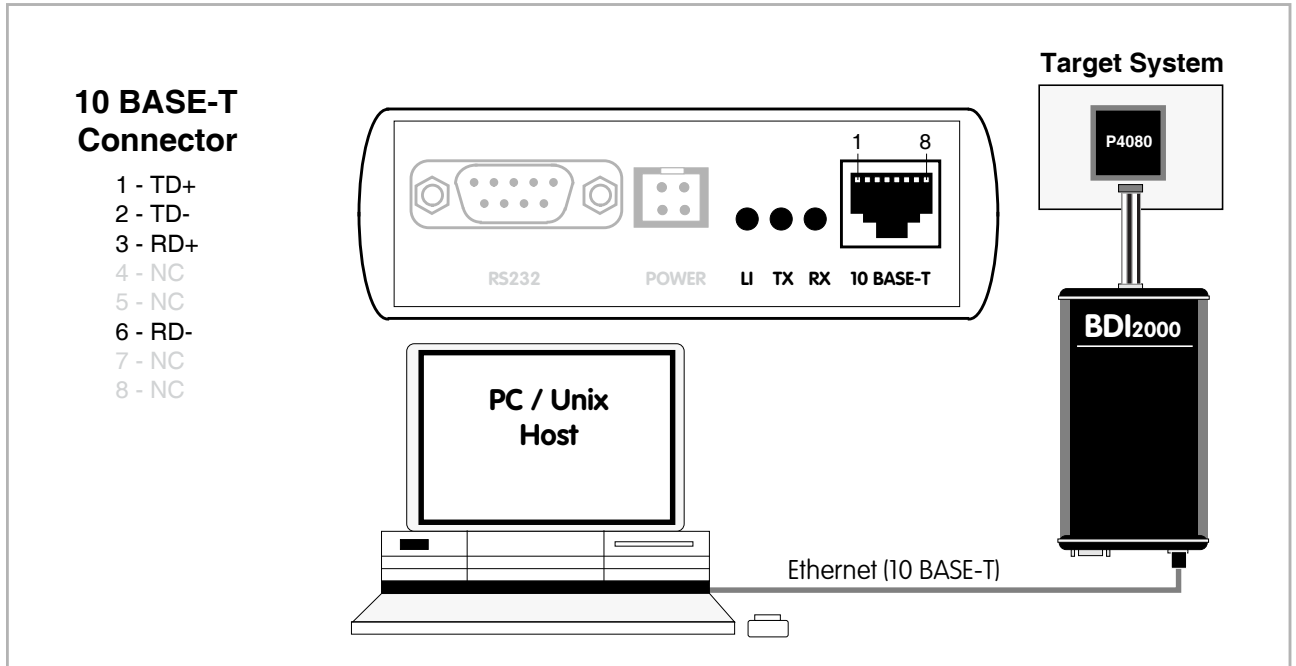
Serial line communication is only used for the initial configuration of the bdiGDB system.

The host is connected to the BDI through the serial interface (COM1...COM4). The communication cable (included) between BDI and Host is a serial cable. There is the same connector pinout for the BDI and for the Host side (Refer to Figure below).



2.4.2 Ethernet communication

The BDI2000 has a built-in 10 BASE-T Ethernet interface (see figure below). Connect an UTP (Unshielded Twisted Pair) cable to the BD2000. For thin Ethernet coaxial networks you can connect a commercially available media converter (BNC-->10 BASE-T) between your network and the BDI2000. Contact your network administrator if you have questions about the network.



The following explains the meanings of the built-in LED lights:

LED	Name	Description
LI	Link	When this LED light is ON, data link is successful between the UTP port of the BDI2000 and the hub to which it is connected.
TX	Transmit	When this LED light BLINKS, data is being transmitted through the UTP port of the BDI2000
RX	Receive	When this LED light BLINKS, data is being received through the UTP port of the BDI2000

2.5 Initial configuration of the bdiGDB system

On the enclosed CD you will find the BDI configuration software and the firmware / logic required for the BDI2000. For Windows users there is also a TFTP server included.

The following files are on the CD.

b20qp4gd.exe	Configuration program
b20qp4gd.hlp	Windows help file for the configuration program
b20qp4gd.xxx	Firmware for the BDI2000
copjed20.xxx	JEDEC file for the BDI2000 (Rev. B) logic device when working with a COP target
copjed21.xxx	JEDEC file for the BDI2000 (Rev. C) logic device when working with a COP target
ftpsrv.exe	TFTP server for Windows (WIN32 console application)
*.cfg	Configuration files
*.def	Register definition files
bdisetup.zip	ZIP Archive with the Setup Tool sources for Linux / UNIX hosts.

Overview of an installation / configuration process:

- Create a new directory on your hard disk
- Copy the entire contents of the enclosed CD into this directory
- Linux only: extract the setup tool sources and build the setup tool
- Use the setup tool to load/update the BDI firmware/logic
Note: A new BDI has no firmware/logic loaded.
- Use the setup tool to transmit the initial configuration parameters
 - IP address of the BDI.
 - IP address of the host with the configuration file.
 - Name of the configuration file. This file is accessed via TFTP.
 - Optional network parameters (subnet mask, default gateway).

Activating BOOTP:

The BDI can get the network configuration and the name of the configuration file also via BOOTP. For this simply enter 0.0.0.0 as the BDI's IP address (see following chapters). If present, the subnet mask and the default gateway (router) is taken from the BOOTP vendor-specific field as defined in RFC 1533.

With the Linux setup tool, simply use the default parameters for the -c option:

```
[root@LINUX_1 bdisetup]# ./bdisetup -c -p/dev/ttyS0 -b57
```

The MAC address is derived from the serial number as follows:

MAC: 00-0C-01-xx-xx-xx , replace the xx-xx-xx with the 6 left digits of the serial number

Example: SN# 93123457 ==>> 00-0C-01-93-12-34

2.5.1 Configuration with a Linux / Unix host

The firmware / logic update and the initial configuration of the BDI2000 is done with a command line utility. In the ZIP Archive bdisetup.zip are all sources to build this utility. More information about this utility can be found at the top in the bdisetup.c source file. There is also a make file included. Starting the tool without any parameter displays information about the syntax and parameters.



To avoid data line conflicts, the BDI2000 must be disconnected from the target system while programming the logic for an other target CPU (see Chapter 2.1.1).

Following the steps to bring-up a new BDI2000:

1. Build the setup tool:

The setup tool is delivered only as source files. This allows to build the tool on any Linux / Unix host. To build the tool, simply start the make utility.

```
[root@LINUX_1 bdisetup]# make
cc -O2 -c -o bdisetup.o bdisetup.c
cc -O2 -c -o bdisetup.o bdisetup.c
cc -O2 -c -o bdisetup.o bdisetup.c
cc -s bdisetup.o bdisetup.o bdisetup.o -o bdisetup
```

2. Check the serial connection to the BDI:

With "bdisetup -v" you may check the serial connection to the BDI. The BDI will respond with information about the current loaded firmware and network configuration.

Note: Login as root, otherwise you probably have no access to the serial port.

```
[root@LINUX_1 bdisetup]# ./bdisetup -v -p/dev/ttyS0 -b57
BDI Type : BDI2000 Rev.C (SN: 92152150)
Loader   : V1.05
Firmware : unknown
Logic    : unknown
MAC      : 00-0c-01-92-15-21
IP Addr  : 255.255.255.255
Subnet   : 255.255.255.255
Gateway  : 255.255.255.255
Host IP  : 255.255.255.255
Config   : ????????????????????
```

3. Load/Update the BDI firmware/logic:

With "bdisetup -u" the firmware is loaded and the CPLD within the BDI2000 is programmed. This configures the BDI for the target you are using. Based on the parameters -a and -t, the tool selects the correct firmware / logic files. If the firmware / logic files are in the same directory as the setup tool, there is no need to enter a -d parameter.

```
[root@LINUX_1 bdisetup]# ./bdisetup -u -p/dev/ttyS0 -b57 -aGDB -tP4080
Connecting to BDI loader
Erasing CPLD
Programming firmware with ./b20qp4gd.100
Programming CPLD with ./copjed21.102
```

4. Transmit the initial configuration parameters:

With "bdisetup -c" the configuration parameters are written to the flash memory within the BDI. The following parameters are used to configure the BDI:

BDI IP Address	The IP address for the BDI2000. Ask your network administrator for assigning an IP address to this BDI2000. Every BDI2000 in your network needs a different IP address.
Subnet Mask	The subnet mask of the network where the BDI is connected to. A subnet mask of 255.255.255.255 disables the gateway feature. Ask your network administrator for the correct subnet mask. If the BDI and the host are in the same subnet, it is not necessary to enter a subnet mask.
Default Gateway	Enter the IP address of the default gateway. Ask your network administrator for the correct gateway IP address. If the gateway feature is disabled, you may enter 255.255.255.255 or any other value.
Config - Host IP Address	Enter the IP address of the host with the configuration file. The configuration file is automatically read by the BDI2000 after every start-up.
Configuration file	Enter the full path and name of the configuration file. This file is read via TFTP. Keep in mind that TFTP has it's own root directory (usual /tftpboot). You can simply copy the configuration file to this directory and the use the file name without any path. For more information about TFTP use "man tftpd".

```
[root@LINUX_1 bdisetup]# ./bdisetup -c -p/dev/ttyS0 -b57 \  
> -i151.120.25.101 \  
> -h151.120.25.118 \  
> -fp4080.cfg  
Connecting to BDI loader  
Writing network configuration  
Writing init list and mode  
Configuration passed
```

5. Check configuration and exit loader mode:

The BDI is in loader mode when there is no valid firmware loaded or you connect to it with the setup tool. While in loader mode, the Mode LED is flashing. The BDI will not respond to network requests while in loader mode. To exit loader mode, the "bdisetup -v -s" can be used. You may also power-off the BDI, wait some time (1min.) and power-on it again to exit loader mode.

```
[root@LINUX_1 bdisetup]# ./bdisetup -v -p/dev/ttyS0 -b57 -s  
BDI Type : BDI2000 Rev.C (SN: 92152150)  
Loader : V1.05  
Firmware : V1.00 bdiGDB for P4080  
Logic : V1.05 PPC6xx/PPC7xx  
MAC : 00-0c-01-92-15-21  
IP Addr : 151.120.25.101  
Subnet : 255.255.255.255  
Gateway : 255.255.255.255  
Host IP : 151.120.25.118  
Config : p4080.cfg
```

The Mode LED should go off, and you can try to connect to the BDI via Telnet.

```
[root@LINUX_1 bdisetup]# telnet 151.120.25.101
```

2.5.2 Configuration with a Windows host

First make sure that the BDI is properly connected (see Chapter 2.1 to 2.4).



To avoid data line conflicts, the BDI2000 must be disconnected from the target system while programming the logic for an other target CPU (see Chapter 2.1.1).

dialog box «BDI2000 Update/Setup»

Before you can use the BDI2000 together with the GNU debugger, you must store the initial configuration parameters in the BDI2000 flash memory. The following options allow you to do this:

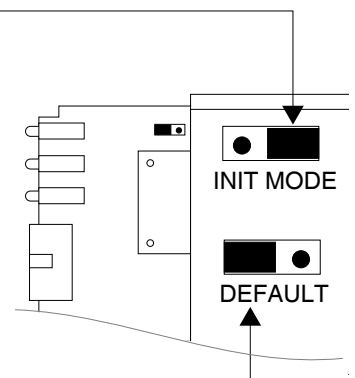
- | | |
|---------|--|
| Port | Select the communication port where the BDI2000 is connected during this setup session. |
| Speed | Select the baudrate used to communicate with the BDI2000 loader during this setup session. |
| Connect | Click on this button to establish a connection with the BDI2000 loader. Once connected, the BDI2000 remains in loader mode until it is restarted or this dialog box is closed. |
| Current | Press this button to read back the current loaded BDI2000 software and logic versions. The current loader, firmware and logic version will be displayed. |
| Update | This button is only active if there is a newer firmware or logic version present in the execution directory of the bdiGDB setup software. Press this button to write the new firmware and/or logic into the BDI2000 flash memory / programmable logic. |

BDI IP Address	Enter the IP address for the BDI2000. Use the following format: xxx.xxx.xxx.xxx e.g.151.120.25.101 Ask your network administrator for assigning an IP address to this BDI2000. Every BDI2000 in your network needs a different IP address.
Subnet Mask	Enter the subnet mask of the network where the BDI is connected to. Use the following format: xxx.xxx.xxx.xx.e.g.255.255.255.0 A subnet mask of 255.255.255.255 disables the gateway feature. Ask your network administrator for the correct subnet mask.
Default Gateway	Enter the IP address of the default gateway. Ask your network administrator for the correct gateway IP address. If the gateway feature is disabled, you may enter 255.255.255.255 or any other value..
Config - Host IP Address	Enter the IP address of the host with the configuration file. The configuration file is automatically read by the BDI2000 after every start-up.
Configuration file	Enter the full path and name of the configuration file. e.g. D:\gnu\config\bdi\ads8260bdi.cnf For information about the syntax of the configuration file see the bdiGDB User manual. This name is transmitted to the TFTP server when reading the configuration file.
Transmit	Click on this button to store the configuration in the BDI2000 flash memory.

2.5.3 Recover procedure

In rare instances you may not be able to load the firmware in spite of a correctly connected BDI (error of the previous firmware in the flash memory). **Before carrying out the following procedure, check the possibilities in Appendix «Troubleshooting».** In case you do not have any success with the tips there, do the following:

- Switch OFF the power supply for the BDI and open the unit as described in Appendix «Maintenance»
- Place the jumper in the «**INIT MODE**» position
- Connect the power cable or target cable if the BDI is powered from target system
- Switch ON the power supply for the BDI again and wait until the LED «MODE» blinks fast
- Turn the power supply OFF again
- Return the jumper to the «**DEFAULT**» position
- Reassemble the unit as described in Appendix «Maintenance»



2.6 Testing the BDI2000 to host connection

After the initial setup is done, you can test the communication between the host and the BDI2000. There is no need for a target configuration file and no TFTP server is needed on the host.

- If not already done, connect the BDI2000 system to the network.
- Power-up the BDI2000.
- Start a Telnet client on the host and connect to the BDI2000 (the IP address you entered during initial configuration).
- If everything is okay, a sign on message like «BDI Debugger for Embedded PowerPC» and a list of the available commands should be displayed in the Telnet window.

2.7 TFTP server for Windows

The bdiGDB system uses TFTP to access the configuration file and to load the application program. Because there is no TFTP server bundled with Windows, Abatron provides a TFTP server application **tftpsrv.exe**. This WIN32 console application runs as normal user application (not as a system service).

Command line syntax: `tftpsrv [p] [w] [dRootDirectory]`

Without any parameter, the server starts in read-only mode. This means, only read access request from the client are granted. This is the normal working mode. The bdiGDB system needs only read access to the configuration and program files.

The parameter [p] enables protocol output to the console window. Try it.

The parameter [w] enables write accesses to the host file system.

The parameter [d] allows to define a root directory.

<code>tftpsrv p</code>	Starts the TFTP server and enables protocol output
<code>tftpsrv p w</code>	Starts the TFTP server, enables protocol output and write accesses are allowed.
<code>tftpsrv dC:\tftp\</code>	Starts the TFTP server and allows only access to files in C:\tftp and its subdirectories. As file name, use relative names. For example "bdi\mpc750.cfg" accesses "C:\tftp\bdi\mpc750.cfg"

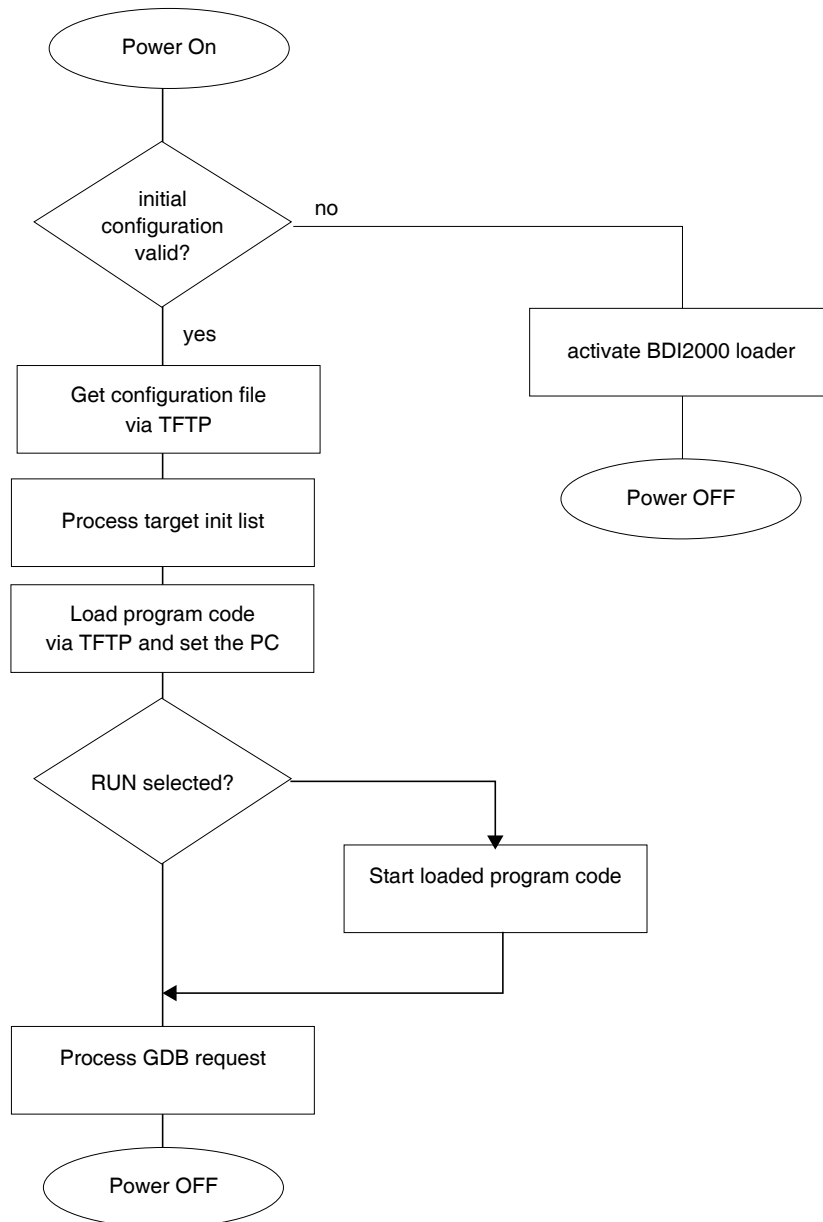
You may enter the TFTP server into the Startup group so the server is started every time you login.

3 Using bdiGDB

3.1 Principle of operation

The firmware within the BDI handles the GDB request and accesses the target memory or registers via the JTAG interface. There is no need for any debug software on the target system. After loading the code via TFTP, debugging can begin at the very first assembler statement.

Whenever the BDI system is powered-up the following sequence starts:



3.2 Configuration File

The configuration file is automatically read by the BDI after every power on. The syntax of this file is as follows:

```

; comment
[part name]
identifier parameter1 parameter2 ..... parameterN ; comment
identifier parameter1 parameter2 ..... parameterN
.....
[part name]
identifier parameter1 parameter2 ..... parameterN
identifier parameter1 parameter2 ..... parameterN
.....
                etc.

```

Numeric parameters can be entered as decimal (e.g. 700) or as hexadecimal (0x80000).

Note about how to enter 64bit values:

The syntax for 64 bit parameters is : [<high word>_]<low word>
Hex values may also be entered as: 0xnxxxxxxxxxxxxxxxx

The "high word" (optional) and "low word" can be entered as decimal or hexadecimal. They are handled as two separate values concatenated with an underscore.

Examples:

```

0x0123456789abcdef     =>>     0x0123456789abcdef
0x01234567_0x89abcdef     =>>     0x0123456789abcdef
1_0                     =>>     0x0000000100000000
256                     =>>     0x0000000000000100
3_0x1234                =>>     0x0000000300001234
0x80000000_0            =>>     0x8000000000000000

```

3.2.1 Part [INIT]

The part [INIT] defines a list of commands which should be executed every time the target comes out of reset. The commands are used to get the target ready for loading the program file.

WGPR register value	Write value to the selected general purpose register. register the register number 0 .. 31 value the value to write into the register Example: WGPR 0 5
WSPR register value	Write value to the selected special purpose register. register the register number value the value to write into the register Example: WSPR 27 0x00001002 ; SRR1 : ME,RI
WREG name value	Write value to the selected CPU register by name name the register name (MSR,CR,PC) value the value to write into the register Example: WREG MSR 0x00001002
WDCSR address value	Write value to the selected register in DCSR space address address / offset in DCSR space value the value to write into the register Example: WDCSR 0x20c 0x0000000e ;CGCR1: Core Group 1
DELAY value	Delay for the selected time. A delay may be necessary to let the clock PLL lock again after a new clock rate is selected. value the delay time in milliseconds (1...30000) Example: DELAY 500 ; delay for 0.5 seconds
WM8 address value	Write a byte (8bit) to the selected memory place. address the memory address value the value to write to the target memory Example: WM8 0xFFFFFA21 0x04 ; SYPCR: watchdog disable
WM16 address value	Write a half word (16bit) to the selected memory place. address the memory address value the value to write to the target memory Example: WM16 0x02200200 0x0002 ; TBSCR
WM32 address value	Write a word (32bit) to the selected memory place. address the memory address value the value to write to the target memory Example: WM32 0x02200000 0x01632440 ; SIUMCR
WM64 address value	Write a double word (64bit) to the selected memory place. address the memory address value the value to write to the target memory Example: WM64 0xFFFF0000 0x123456789abcdef0

RM8 address value	<p>Read a byte (8bit) from the selected memory place. address the memory address Example: RM8 0x00000000</p>
RM16 address value	<p>Read a half word (16bit) from the selected memory place. address the memory address Example: RM16 0x00000000</p>
RM32 address value	<p>Read a word (32bit) from the selected memory place. address the memory address Example: RM32 0x00000000</p>
RM64 address value	<p>Read a double word (64bit) from the selected memory place. address the memory address Example: RM64 0x00000000</p>
TSZ1 start end	<p>Defines a memory range with 1 byte maximal transfer size. Normally when the BDI reads or writes a memory block, it tries to access the memory with a burst access. The TSZx entry allows to define a maximal transfer size for up to 8 address ranges. start the start address of the memory range end the end address of the memory range Example: TSZ1 0xFF000000 0xFFFFFFFF ; PCI ROM space</p>
TSZ2 start end	<p>Defines a memory range with 2 byte maximal transfer size.</p>
TSZ4 start end	<p>Defines a memory range with 4 byte maximal transfer size.</p>
TSZ8 start end	<p>Defines a memory range with 8 byte maximal transfer size.</p>
MMAP start end	<p>Because a memory access to an invalid memory space via JTAG can lead to a deadlock, this entry can be used to define up to 32 valid memory ranges. If at least one memory range is defined, the BDI checks against this range(s) and avoids accessing of not mapped memory ranges. start the start address of a valid memory range end the end address of this memory range Example: MMAP 0xFFE00000 0xFFFFFFFF ;Boot ROM</p>
EXEC [n_]opcode [data]	<p>This entry causes the processor to execute one instruction. If a load instruction should get the data from the JTAG port instead from normal memory, the optional n_ and data parameters are used. n 0 = load data from normal memory 1 = load 8/16/32-bit data from JTAG port 2 = load 64-bit data from JTAG port opcode the opcode of the PowerPC instruction data the data to present to the instruction Example: EXEC 0_0x3c60aba4 ;load GPR 3 via lui EXEC 1_0x80c00000 1234 ;load GPR 6 via lwz EXEC 2_0xc8c00000 0 ;clear FPR 6 via ldf</p>

WTLB mas1_mas2 mas0/mas7_mas3

Adds an entry to the TLB0 or TLB1 array. The two 64-bit values of an init list entry are used to define MAS0 (upper 16 bits), MAS1, MAS2, MAS3 and MAS7 (lower 16 bits) before a tlbwe instruction is executed. If other MASx registers needs a special value, use the WSPR init list entry. A TLB entry can also be addd via a Telnet command (enter WTLB at the telnet for a description).

mas1	value to load into MAS1
mas2	value to load into MAS2
mas3	value to load into MAS3
mas0	value to load into upper 16-bits of MAS0
mas7	value to load into lower 16-bits of MAS7

Some examples how to write TLB entries:

```

; Setup TLB1
;
WTLB 0x80000700_0xfe00000a 0x10010000_0xfe00003f ;1/1: fe000000->0_fe000000 16MB -I-G- RWXRWX
WTLB 0x80000900_0xe000000a 0x10020000_0xe000003f ;1/2: e0000000->0_e0000000 256MB -I-G- RWXRWX
WTLB 0x80000a00_0x00000000 0x10030000_0x0000003f ;1/3: 00000000->0_00000000 1GB ----- RWXRWX
WTLB 0x80000a00_0x40000000 0x10040000_0x4000003f ;1/4: 40000000->0_40000000 1GB ----- RWXRWX
WTLB 0x80000500_0x80000000 0x10050000_0x8000003f ;1/5: 80000000->0_80000000 1MB ----- RWXRWX

; Setup TLB0
;
WTLB 0x80000100_0xc0000000 0x00000000_0x0000003f ;WAY0: c0000000->0_00000000 4KB ----- RWXRWX
WTLB 0x80000100_0xc0001000 0x00000000_0x0000103f ;WAY0: c0001000->0_00001000 4KB ----- RWXRWX
WTLB 0x80000100_0xc0002000 0x00000000_0x0000203f ;WAY0: c0002000->0_00002000 4KB ----- RWXRWX
WTLB 0x80000100_0xc0003000 0x00000000_0x0000303f ;WAY0: c0003000->0_00003000 4KB ----- RWXRWX
;

```

3.2.2 Part [TARGET]

The part [TARGET] defines some target specific values.

CPUTYPE type core [soc] This value gives the BDI information about the connected CPU/core.

```

type          P4080
core          the core number within the SOC (0...n)
soc           the SOC number (0...3)
Example:     CPUTYPE P4080 0 0 ; Core0 / SOC0
             CPUTYPE P4080 1  ; Core1 / SOC0
             CPUTYPE P4080 3 1 ; Core3 / SOC1
    
```

JTAGCLOCK value With this value you can select the JTAG clock rate the BDI2000 uses when communication with the target CPU.

```

value         0 = 16.6 MHz   4 = 500 kHz   7 = 50 kHz
              1 =  8.3 MHz   5 = 200 kHz   8 = 20 kHz
              2 =  4.1 MHz   6 = 100 kHz   9 = 10 kHz
              3 =  1.0 MHz   10 =  5 kHz
Example:     CLOCK 1 ; JTAG clock is 8.3 MHz
    
```

POWERUP delay When the BDI detects target power-up, HRESET is forced immediately. This way no code from a boot ROM is executed after power-up. The value entered in this configuration line is the delay time in milliseconds the BDI waits before it begins JTAG communication. This time should be longer than the on-board reset circuit asserts HRESET.

```

delay         the power-up start delay in milliseconds
Example:     POWERUP 5000 ;start delay after power-up
    
```

RESET type [time] Normally the BDI drives the HRESET line during startup. If reset type is NONE, the BDI does not assert a hardware reset during startup. This entry can also be used to change the default reset time.

```

type          NONE
              HARD (default)
time          The time in milliseconds the BDI assert the reset signal.
Example:     RESET NONE ; no reset during startup
             RESET HARD 1000 ; assert RESET for 1 second
    
```

EDBCR0 list This parameter allows to change the default EDBCR0 value. By default the EDM, DNH and EFT bits are set.

```

list          defines the bits to set (EDM, DNH and EFT)
Example:     EDBCR0 EDM DNH EFT ;this is the default
             EDBCR0 EDM DNH      ;do not freeze timers
             EDBCR0 DNH          ;do not halt on debug events
    
```

- WAKEUP time** This entry in the init list allows to define a delay time (in ms) the BDI inserts between releasing the COP-HRESET line and starting communicating with the target. This init list entry may be necessary if COP-HRESET is delayed on its way to the PowerPC reset pin.
- time the delay time in milliseconds
 Example: WAKEUP 3000 ; insert 3sec wake-up time
- STARTUP mode [runtime]** This parameter selects the target startup mode. The following modes are supported:
- HALT This mode forces the target to debug mode immediately out of reset. If HALT for core number 0 is defined, then all cores within an SOC will be halted immediately out of reset.
- STOP In this mode, the BDI lets the target execute code for "runtime" milliseconds after reset. This mode is useful when monitor code should initialize the target system.
- RUN After reset, the target executes code until stopped by the Telnet "halt" command.
- Example: STARTUP STOP 3000 ; let the CPU run for 3 seconds
- BREAKMODE mode** This parameter defines how breakpoints are implemented. The current mode can also be changed via the Telnet interface
- SOFT This is the normal mode. Breakpoints are implemented by replacing code with a DNH instruction.
- HARD In this mode, the target breakpoint hardware is used. Only 2 breakpoints at a time is supported.
- LOOP In this mode, breakpoints are implemented by replacing code with an endless loop (0x48000000). Maybe useful for special debug tasks. The processor does not automatically enter debug mode, it has to be halted manually via Telnet or GDB.
- Example: BREAKMODE HARD
- STEPMODE mode** This parameter defines how single step (instruction step) is implemented. The alternate step mode (HWBP) may be useful when stepping instructions that causes a TLB miss exception. In case BREAKMODE LOOP is selected, this parameter is ignored and single step is implemented by replacing the code of the next instruction(s) with an endless loop (0x48000000).
- ICMP This is the mode, single step is implemented via the instruction complete (ICMP) debug event.
- HWBP In this mode, a hardware breakpoint on the next instruction is used to implement single stepping.
- Example: STEPMODE HWBP

- MMU XLAT [kb]** In order to support Linux kernel debugging when MMU is on, the BDI translates effective (virtual) to physical addresses. This translation is done based on the current MMU configuration (page tables). If this configuration line is present, the BDI translates the addresses received from GDB before it accesses physical memory. The optional parameter defines the kernel virtual base address (default is 0xC0000000) and is used for default address translation. For more information see also chapter "Embedded Linux MMU Support". Addresses entered at the Telnet are never translated. Translation can be probed with the Telnet command PHYS. If not zero, the 12 lower bits of "kb" defines the position of the page present bit in a page table entry. By default 0x800 is assumed for the page present bit. The position may depend on the Linux kernel version. A "kb" value of 0xFFFFFFFF disables the default translation.
- kb The kernel virtual base address (KERNELBASE)
 - Example: MMU XLAT ;enable address translation
 - MMU XLAT 0xC0000800 ; page present bit is 0x800
- PTBASE addr [64BIT]** This parameter defines the physical memory address where the BDI looks for the virtual/physical address of the array with the two page table pointers. For more information see also chapter "Embedded Linux MMU Support". If this parameter is not defined, the BDI searches TLB0 in order to translate a virtual address (TLB1 is always searched). If the additional "64BIT" option is present, the BDI assume a 64-bit PTE.
- addr Physical address of the memory used to store the virtual address of the array with the two page table pointers.
 - Example: PTBASE 0xf0
- SIO port [baudrate]** When this line is present, a TCP/IP channel is routed to the BDI's RS232 connector. The port parameter defines the TCP port used for this BDI to host communication. You may choose any port except 0 and the default Telnet port (23). On the host, open a Telnet session using this port. Now you should see the UART output in this Telnet session. You can use the normal Telnet connection to the BDI in parallel, they work completely independent. Also input to the UART is implemented.
- port The TCP/IP port used for the host communication.
 - baudrate The BDI supports 2400 ... 115200 baud
 - Example: SIO 7 9600 ;TCP port for virtual IO
- MEMACCES mode [attr]** There are two possible ways to access memory. Via the current core by executing ld/st instructions or via the System Access Port (SAP). See also Telnet chapter. The following modes are supported:
- SAP Memory access via SAP (default). The attr is a delay sometimes necessary when accessing slow memory.
 - CORE Memory access via current core. The optional attr parameter is explained in the Telnet chapter.
 - Example: MEMACCES CORE ; access via core
 - MEMACCES SAP 100 ; access via SAP, 100us delay

Daisy chained JTAG devices:

The BDI can also handle systems with multiple devices connected to the JTAG scan chain. In order to put the other devices into BYPASS mode and to count for the additional bypass registers, the BDI needs some information about the scan chain layout. Enter the number (count) and total instruction register (irlen) length of the devices present before the PowerPC chip (Predecessor). Enter the appropriate information also for the devices following the PowerPC chip (Successor):

SCANPRED count irlen This value gives the BDI information about JTAG devices present before the PowerPC chip in the JTAG scan chain.

count The number of preceding devices

irlen The sum of the length of all preceding instruction registers (IR).

Example: SCANPRED 1 8 ; one device with an IR length of 8

SCANSUCC count irlen This value gives the BDI information about JTAG devices present after the PowerPC chip in the JTAG scan chain.

count The number of succeeding devices

irlen The sum of the length of all succeeding instruction registers (IR).

Example: SCANSUCC 2 12 ; two device with an IR length of 8+4

3.2.3 Part [HOST]

The part [HOST] defines some host specific values.

IP ipaddress	<p>The IP address of the host.</p> <p>ipaddress the IP address in the form xxx.xxx.xxx.xxx</p> <p>Example: IP 151.120.25.100</p>
FILE filename	<p>The default name of the file that is loaded into RAM using the Telnet 'load' command. This name is used to access the file via TFTP. If the filename starts with a \$, this \$ is replace with the path of the configuration file name.</p> <p>filename the filename including the full path or \$ for relative path.</p> <p>Example: FILE F:\gnu\demo\ppc\test.elf FILE \$test.elf</p>
FORMAT format [offset]	<p>The format of the image file and an optional load address offset. If the image is already stored in ROM on the target, select ROM as the format. The optional parameter "offset" is added to any load address read from the image file.</p> <p>format SREC, BIN, AOUT, ELF, IMAGE* or ROM</p> <p>Example: FORMAT ELF FORMAT ELF 0x10000</p>
LOAD mode	<p>In Agent mode, this parameters defines if the code is loaded automatically after every reset.</p> <p>mode AUTO, MANUAL</p> <p>Example: LOAD MANUAL</p>
START address	<p>The address where to start the program file. If this value is not defined and the core is not in ROM, the address is taken from the image file. If this value is not defined and the core is already in ROM, the PC will not be set before starting the program file. This means, the program starts at the normal reset address (0xFFFF00100).</p> <p>address the address where to start the program file</p> <p>Example: START 0x1000</p>

* Special IMAGE load format:

The IMAGE format is a special version of the ELF format used to load a Linux boot image into target memory. When this format is selected, the BDI loads not only the loadable segment as defined in the Program Header, it also loads the rest of the file up to the Section Header Table. The relationship between load address and file offset will be maintained throughout this process. This way, the compressed Linux image and a optional RAM disk image will also be loaded.

DEBUGPORT port [RECONNECT]

The TCP port GDB uses to access the target. If the RECONNECT parameter is present, an open TCP/IP connection (Telnet/GDB) will be closed if there is a connect request from the same host (same IP address).

port the TCP port number (default = 2001)

Example: DEBUGPORT 2001

PROMPT string

This entry defines a new Telnet prompt. The current prompt can also be changed via the Telnet interface.

Example: PROMPT P4080#0>

DUMP filename

The default file name used for the Telnet DUMP command.

filename the filename including the full path

Example: DUMP dump.bin

TELNET mode

By default the BDI sends echoes for the received characters and supports command history and line editing. If it should not send echoes and let the Telnet client in "line mode", add this entry to the configuration file.

mode ECHO (default), NOECHO or LINE

Example: TELNET NOECHO ; use old line mode

3.2.4 Part [FLASH]

The Telnet interface supports programming and erasing of flash memories. The bdiGDB system has to know which type of flash is used, how the chip(s) are connected to the CPU and which sectors to erase in case the ERASE command is entered without any parameter.

CHIPTYPE type	<p>This parameter defines the type of flash used. It is used to select the correct programming algorithm.</p> <p>format AM29F, AM29BX8, AM29BX16, I28BX8, I28BX16, AT49, AT49X8, AT49X16, STRATAX8, STRATAX16, MIRROR, MIRRORX8, MIRRORX16, M58X32, AM29DX16, AM29DX32</p> <p>Example: CHIPTYPE AM29F</p>
CHIPSIZE size	<p>The size of one flash chip in bytes (e.g. AM29F010 = 0x20000). This value is used to calculate the starting address of the current flash memory bank.</p> <p>size the size of one flash chip in bytes</p> <p>Example: CHIPSIZE 0x80000</p>
BUSWIDTH width	<p>Enter the width of the memory bus that leads to the flash chips. Do not enter the width of the flash chip itself. The parameter CHIPTYPE carries the information about the number of data lines connected to one flash chip. For example, enter 16 if you are using two AM29F010 to build a 16bit flash memory bank.</p> <p>with the width of the flash memory bus in bits (8 16 32 64)</p> <p>Example: BUSWIDTH 16</p>
FILE filename	<p>The default name of the file that is programmed into flash using the Telnet 'prog' command. This name is used to access the file via TFTP. If the filename starts with a \$, this \$ is replace with the path of the configuration file name. This name may be overridden interactively at the Telnet interface.</p> <p>filename the filename including the full path or \$ for relative path.</p> <p>Example: FILE F:\gnu\ppc\bootrom.hex FILE \$bootrom.hex</p>
FORMAT format [offset]	<p>The format of the file and an optional address offset. The optional parameter "offset" is added to any load address read from the program file. You get the best programming performance when using a binary format (BIN, AOUT, ELF or IMAGE).</p> <p>format SREC, BIN, AOUT, ELF or IMAGE</p> <p>Example: FORMAT BIN 0x10000</p>
WORKSPACE address	<p>If a workspace is defined, the BDI uses a faster programming algorithm that runs out of RAM on the target system. Otherwise, the algorithm is processed within the BDI. The workspace is used for a 1kByte data buffer and to store the algorithm code. There must be at least 2kBytes of RAM available for this purpose.</p> <p>address the address of the RAM area</p> <p>Example: WORKSPACE 0x00000000</p>

ERASE addr [increment count] [mode [wait]]

The flash memory may be individually erased or unlocked via the Telnet interface. In order to make erasing of multiple flash sectors easier, you can enter an erase list. All entries in the erase list will be processed if you enter ERASE at the Telnet prompt without any parameter. This list is also used if you enter UNLOCK at the Telnet without any parameters. With the "increment" and "count" option you can erase multiple equal sized sectors with one entry in the erase list.

address	Address of the flash sector, block or chip to erase
increment	If present, the address offset to the next flash sector
count	If present, the number of equal sized sectors to erase
mode	BLOCK, CHIP, UNLOCK

Without this optional parameter, the BDI executes a sector erase. If supported by the chip, you can also specify a block or chip erase. If UNLOCK is defined, this entry is also part of the unlock list. This unlock list is processed if the Telnet UNLOCK command is entered without any parameters.

Note: Chip erase does not work for large chips because the BDI time-outs after 3 minutes. Use block erase.

wait	The wait time in ms is only used for the unlock mode. After starting the flash unlock, the BDI waits until it processes the next entry.
------	---

Example: ERASE 0xff040000 ;erase sector 4 of flash
 ERASE 0xff060000 ;erase sector 6 of flash
 ERASE 0xff000000 CHIP ;erase whole chip(s)
 ERASE 0xff010000 UNLOCK 100 ;unlock, wait 100ms
 ERASE 0xff000000 0x10000 7 ; erase 7 sectors

Example for the ADS8260 flash memory:

```
[FLASH]
CHIPTYPE      I28BX8           ;Flash type
CHIPSIZE      0x200000        ;The size of one flash chip in bytes (e.g. AM29F010 = 0x20000)
BUSWIDTH      32              ;The width of the flash memory bus in bits (8 | 16 | 32 | 64)
WORKSPACE     0x04700000      ;workspace in dual port RAM
FILE          E:\gnu\demo\ads8260\bootrom.hex ;The file to program
ERASE         0xFF900000      ;erase sector 4 of flash SIMM (LH28F016SCT)
ERASE         0xFF940000      ;erase sector 5 of flash SIMM
ERASE         0xFF980000      ;erase sector 6 of flash SIMM
ERASE         0xFF9c0000      ;erase sector 7 of flash SIMM
```

the above erase list maybe replaces with:

```
ERASE         0xFF900000 0x40000 4 ; erase sector 4 to 7 of flash SIMM
```

Supported Flash Memories:

There are currently 3 standard flash algorithm supported. The AMD, Intel and Atmel AT49 algorithm. Almost all currently available flash memories can be programmed with one of this algorithm. The flash type selects the appropriate algorithm and gives additional information about the used flash.

- For 8bit only flash: AM29F (MIRROR), I28BX8, AT49
- For 8/16 bit flash in 8bit mode: AM29BX8 (MIRRORX8), I28BX8 (STRATAX8), AT49X8
- For 8/16 bit flash in 16bit mode: AM29BX16 (MIRRORX16), I28BX16 (STRATAX16), AT49X16
- For 16bit only flash: AM29BX16, I28BX16, AT49X16
- For 16/32 bit flash in 16bit mode: AM29DX16
- For 16/32 bit flash in 32bit mode: AM29DX32
- For 32bit only flash: M58X32

Some newer Spansion MirrorBit flashes cannot be programmed with the MIRRORX16 algorithm because of the used unlock address offset. Use S29M32X16 for these flashes.

The AMD and AT49 algorithm are almost the same. The only difference is, that the AT49 algorithm does not check for the AMD status bit 5 (Exceeded Timing Limits).

Only the AMD and AT49 algorithm support chip erase. Block erase is only supported with the AT49 algorithm. If the algorithm does not support the selected mode, sector erase is performed. If the chip does not support the selected mode, erasing will fail. The erase command sequence is different only in the 6th write cycle. Depending on the selected mode, the following data is written in this cycle (see also flash data sheets): 0x10 for chip erase, 0x30 for sector erase, 0x50 for block erase.

To speed up programming of Intel Strata Flash and AMD MirrorBit Flash, an additional algorithm is implemented that makes use of the write buffer. This algorithm needs a workspace, otherwise the standard Intel/AMD algorithm is used.

The following table shows some examples:

Flash	x 8	x 16	x 32	Chipsize
Am29F010	AM29F	-	-	0x020000
Am29F800B	AM29BX8	AM29BX16	-	0x100000
Am29DL323C	AM29BX8	AM29BX16	-	0x400000
Am29PDL128G	-	AM29DX16	AM29DX32	0x01000000
Intel 28F032B3	I28BX8	-	-	0x400000
Intel 28F640J3A	STRATAX8	STRATAX16	-	0x800000
Intel 28F320C3	-	I28BX16	-	0x400000
AT49BV040	AT49	-	-	0x080000
AT49BV1614	AT49X8	AT49X16	-	0x200000
M58BW016BT	-	-	M58X32	0x200000
SST39VF160	-	AT49X16	-	0x200000
Am29LV320M	MIRRORX8	MIRRORX16	-	0x400000

Note:

Some Intel flash chips (e.g. 28F800C3, 28F160C3, 28F320C3) power-up with all blocks in locked state. In order to erase/program those flash chips, use the init list to unlock the appropriate blocks:

```
WM16  0xFFFF00000  0x0060      unlock block 0
WM16  0xFFFF00000  0x00D0
WM16  0xFFFF10000  0x0060      unlock block 1
WM16  0xFFFF10000  0x00D0
      . . . .
WM16  0xFFFF00000  0xFFFF      select read mode
```

or use the Telnet "unlock" command:

```
UNLOCK [<addr> [<delay>]]
```

- addr** This is the address of the sector (block) to unlock
- delay** A delay time in milliseconds the BDI waits after sending the unlock command to the flash. For example, clearing all lock-bits of an Intel J3 Strata flash takes up to 0.7 seconds.

If "unlock" is used without any parameter, all sectors in the erase list with the UNLOCK option are processed.

To clear all lock-bits of an Intel J3 Strata flash use for example:

```
BDI> unlock 0xFF000000 1000
```

To erase or unlock multiple, continuous flash sectors (blocks) of the same size, the following Telnet commands can be used:

```
ERASE <addr> <step> <count>
UNLOCK <addr> <step> <count>
```

- addr** This is the address of the first sector to erase or unlock.
- step** This value is added to the last used address in order to get to the next sector. In other words, this is the size of one sector in bytes.
- count** The number of sectors to erase or unlock.

The following example unlocks all 256 sectors of an Intel Strata flash (28F256K3) that is mapped to 0x00000000. In case there are two flash chips to get a 32bit system, double the "step" parameter.

```
BDI> unlock 0x00000000 0x20000 256
```

3.2.5 Part [REGS]

In order to make it easier to access target registers via the Telnet interface, the BDI can read in a register definition file. In this file, the user defines a name for the register and how the BDI should access it (e.g. as memory mapped, memory mapped with offset, ...). The name of the register definition file and information for different registers type has to be defined in the configuration file. The register name, type, address/offset/number and size are defined in a separate register definition file.

An entry in the register definition file has the following syntax:

```
name type addr [size [SWAP]]
```

name	The name of the register (max. 15 characters)	
type	The register type	
	GPR	General purpose register
	SPR	Special purpose register
	PMR	Performance monitor register
	CCSR	Relative to CCSRBAR memory mapped register.
	DCSR	Memory mapped register in DCSR space
	MM	Absolute direct memory mapped register
	DMM1...DMM4	Relative direct memory mapped register
IMM1...IMM4	Indirect memory mapped register	
addr	The address, offset or number of the register	
size	The size (8, 16, 32) of the register (default is 32)	
SWAP	If present, the bytes of a 16bit or 32bit register are swapped. This is useful to access little endian ordered registers (e.g. PCI bridge configuration registers).	

The following entries are supported in the [REGS] part of the configuration file:

FILE filename	The name of the register definition file. This name is used to access the file via TFTP. The file is loaded once during BDI startup.	
	filename	the filename including the full path
	Example:	FILE C:\bdi\regs\regP4080.def
DMMn base	This defines the base address of direct memory mapped registers. This base address is added to the individual offset of the register.	
	base	the base address
	Example:	DMM1 0x01000
IMMn addr data	This defines the addresses of the memory mapped address and data registers of indirect memory mapped registers. The address of a IMMn register is first written to "addr" and then the register value is access using "data" as address.	
	addr	the address of the Address register
	data	the address of the Data register
	Example:	DMM1 0x04700000

Remark:

The registers **msr**, **cr**, **iar** and **fpscr** and are predefined.

Example for a register definition:

Entry in the configuration file:

```
[REGS]
FILE    $regP4080.def
```

The register definition file:

```
;name          type   addr          size
;-----
;
sp             GPR    1
;
;
atbl          SPR    526
atbu          SPR    527
bucsr        SPR    1013
csrr0        SPR    58
csrr1        SPR    59
.....

tlb0cfg      SPR    688
tlblcfg      SPR    689
tsr          SPR    336
usprg0       SPR    256
xer          SPR    1
;
;
;          Local Bus Controller
br0          CCSR   0x124000
br1          CCSR   0x124008
br2          CCSR   0x124010
br3          CCSR   0x124018
.....

fcr          CCSR   0x1240E8
fbar         CCSR   0x1240EC
fpar         CCSR   0x1240F0
fbcr         CCSR   0x1240F4
```

Now the defined registers can be accessed by name via the Telnet interface:

```
BDI>rd csrr0
BDI>rm br0 0x00000801
```

3.3 Debugging with GDB

Because the GDB server runs within the BDI, no debug support has to be linked to your application. There is also no need for any BDI specific changes in the application sources.

3.3.1 Target setup

Target initialization may be done at two places. First with the BDI configuration file, second within the application. The setup in the configuration file must at least enable access to the target memory where the application will be loaded. Disable the watchdog and setting the CPU clock rate should also be done with the BDI configuration file. Application specific initializations like setting the timer rate are best located in the application startup sequence.

3.3.2 Connecting to the target

As soon as the target comes out of reset, BDI initializes it and optionally loads your application code. BDI now waits for GDB request from the debugger running on the host.

After starting the debugger, it must be connected to the remote target. This can be done with the following command at the GDB prompt:

```
(gdb)target remote bdi2000:2001
```

bdi2000 This stands for an IP address. The HOST file must have an appropriate entry. You may also use an IP address in the form xxx.xxx.xxx.xxx

2001 This is the TCP port used to communicate with the BDI

If not already suspended, this stops the execution of application code and the target CPU changes to background debug mode.

Remember, every time the application is suspended, the target CPU is freezed. During this time, no hardware interrupts will be processed.

Note: For convenience, the GDB detach command triggers a target reset sequence in the BDI.

```
(gdb)detach
```

... Wait until BDI has resetet the target and reloaded the image

```
(gdb)target remote bdi2000:2001
```

3.3.3 GDB monitor command

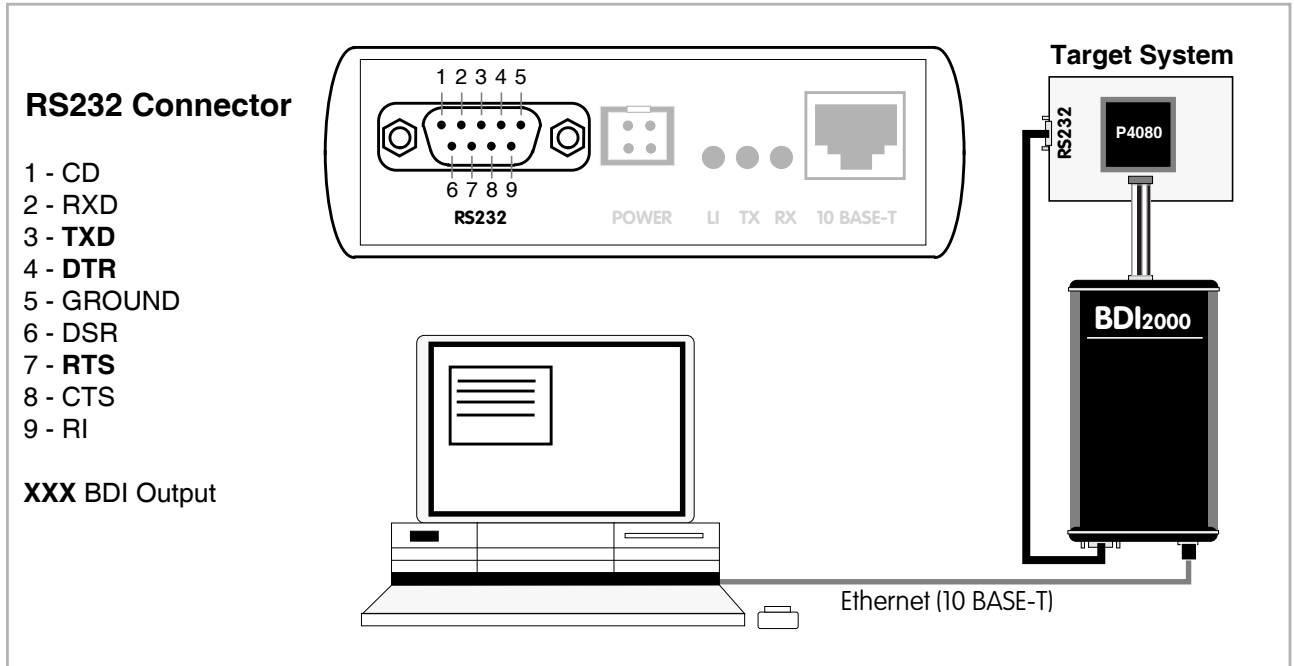
The BDI supports the GDB V5.x "monitor" command. Telnet commands are executed and the Telnet output is returned to GDB. This way you can for example switch the BDI breakpoint mode from within your GDB session.

```
(gdb) target remote bdi2000:2001
Remote debugging using bdi2000:2001
0x10b2 in start ()
(gdb) monitor break
Breakpoint mode is SOFT
(gdb) mon break hard
```

```
(gdb) mon break
Breakpoint mode is HARD
(gdb)
```

3.3.4 Target serial I/O via BDI

A RS232 port of the target can be connected to the RS232 port of the BDI2000. This way it is possible to access the target's serial I/O via a TCP/IP channel. For example, you can connect a Telnet session to the appropriate BDI2000 port. Connecting GDB to a GDB server (stub) running on the target should also be possible.



The configuration parameter "SIO" is used to enable this serial I/O routing. The used framing parameters are 8 data, 1 stop and not parity. The BDI asserts RTS and DTR when a TCP connection is established.

```
[TARGET]
....
SIO 7 9600 ;Enable SIO via TCP port 7 at 9600 baud
```

Warning!!!

Once SIO is enabled, connecting with the setup tool to update the firmware will fail. In this case either disable SIO first or disconnect the BDI from the LAN while updating the firmware.

3.3.5 Embedded Linux MMU Support

The bdiGDB system supports Linux kernel debugging when MMU is on. The MMU configuration parameter enables this mode of operation. In this mode, all addresses received from GDB are assumed to be virtual. Before the BDI accesses memory, it translates this address into a physical one based on information found in the TLB's or kernel/user page table.

If PTBASE is not defined, the BDI does TLB1, TLB0 and if enabled default translation (in this order).

In order to search the page tables, the BDI needs to know the start addresses of the first level page table. The configuration parameter PTBASE defines the physical address where the BDI looks for the virtual/physical address of an array with two virtual/physical addresses of first level page tables. The first one points normally to the kernel page table, the second one can point to the current user page table. As long as the base pointer or the first entry is zero, the BDI does only L2 CAM (L2 TLB1) and default translation. Default translation maps a 256 Mbyte range starting at KERNELBASE to 0x00000000. The second page table is only searched if its address is not zero and there was no match in the first one.

The pointer structure is as follows:

```
PTBASE (physical address) ->
    PTE pointer pointer(virtual or physical address) ->
        PTE kernel pointer (virtual or physical address)
        PTE user pointer (virtual or physical address)
```

The pointers are assumed virtual if they are \geq KERNELBASE. In that case, default translation is applied to get the physical address.

Newer versions of "arch/ppc/kernel/head.S" support the automatic update of the BDI page table information structure. Search "head.S" for "abatron" and you will find the BDI specific extensions.

Extract from the configuration file:

```
[INIT]
.....
WM32      0x000000f0      0x00000000      ;invalidate page table base

[TARGET]
.....
MMU          XLAT          ;translate effective to physical address
PTBASE      0x000000f0      ;here is the pointer to the page table pointers
```

To debug the Linux kernel when MMU is enabled you may use the following load and startup sequence:

- Load the compressed linux image
- Set a hardware breakpoint with the Telnet at a point where MMU is enabled. For example at "start_kernel".
BDI> BI 0xC0061550
- Start the code with GO at the Telnet
- The Linux kernel is decompressed and started
- The system should stop at the hardware breakpoint (e.g. at start_kernel)
- Disable the hardware breakpoint with the Telnet command CI.
- If not automatically done by the kernel, setup the page table pointers for the BDI.
- Start GDB with vmlinux as parameter
- Attach to the target
- Now you should be able to debug the Linux kernel

To setup the BDI page table information structure manually, set a hardware breakpoint at "start_kernel" and use the Telnet to write the address of "swapper_pg_dir" to the appropriate place.

```
BDI>bi 0xc0061550          /* set breakpoint at start_kernel */
BDI>go
..                          /* target stops at start_kernel */
BDI>ci
BDI>mm 0xf0 0xc00000f8     /* Let PTBASE point to an array of two pointers*/
BDI>mm 0xf8 0xc0057000     /* write address of swapper_pg_dir to first pointer */
BDI>mm 0xfc 0x00000000     /* clear second (user) pointer */
```

3.4 Telnet Interface

A Telnet server is integrated within the BDI. The Telnet channel is used by the BDI to output error messages and other information. Also some basic debug commands can be executed.

Telnet Debug features:

- Display and modify memory locations
- Display and modify general and special purpose registers
- Single step a code sequence
- Set hardware breakpoints
- Load a code file from any host
- Start / Stop program execution
- Programming and Erasing Flash memory

During debugging with GDB, the Telnet is mainly used to reboot the target (generate a hardware reset and reload the application code). It may be also useful during the first installation of the bdiGDB system or in case of special debug needs.

Example of a Telnet session:

```
P4080#0>info
  Target CPU      : P4080 Core#0
  Core state     : halted
  Debug entry cause : device event
  Current PC     : 0xffffffffc
  Current CR     : 0x00000000
  Current MSR    : 0x00000000
  Current LR     : 0x00000000
  Current CCSRBAR : 0x0_fe000000
P4080#0>rd
GPR00: c11bc002 06278553 80028188 aba40000
GPR04: 609db195 ad1944b2 deadbeef 002883a6
GPR08: 20119520 2032dc90 94110404 29038003
GPR12: 9422cf8e 0c105000 613b00b0 4e0d4548
GPR16: 0f15d163 3820d4a3 806b42d8 4c005402
GPR20: b0010949 846310d8 c0d53502 4c41d854
GPR24: c0602409 4443cd98 a8911575 e0021810
GPR28: 200842c0 c890cc15 2c2390ce 604bc0c1
CR   : 00000000      MSR: 00000000
P4080#0>md 0
0_00000000 : deadbeef deadbeef deadbeef deadbeef .....
0_00000010 : deadbeef deadbeef deadbeef deadbeef .....
0_00000020 : deadbeef deadbeef deadbeef deadbeef .....
0_00000030 : deadbeef deadbeef deadbeef deadbeef .....
0_00000040 : deadbeef deadbeef deadbeef deadbeef .....
.....
```

Notes:

The DUMP command uses TFTP to write a binary image to a host file. Writing via TFTP on a Linux/Unix system is only possible if the file already exists and has public write access. Use "man tftpd" to get more information about the TFTP server on your host.

The Telnet commands:

```

"PHYS <address>                converts an effective to a physical address",
"MD [<address>] [<count>]      display target memory as word (32bit)",
"MDD [<address>] [<count>]      display target memory as double word (64bit)",
"MDH [<address>] [<count>]      display target memory as half word (16bit)",
"MDB [<address>] [<count>]      display target memory as byte (8bit)",
"DUMP <addr> <size> [<file>]    dump target memory to a file",
"MM <addr> <value> [<cnt>]       modify word(s) (32bit) in target memory",
"MMD <addr> <value> [<cnt>]       modify double word(s) (64bit) in target memory",
"MMH <addr> <value> [<cnt>]       modify half word(s) (16bit) in target memory",
"MMB <addr> <value> [<cnt>]       modify byte(s) (8bit) in target memory",
"MT <addr> <count> [<loop>]      memory test",
"MC [<address>] [<count>]       calculates a checksum over a memory range",
"MV                               verifies the last calculated checksum",

"RD [<name>]                    display general purpose or user defined register",
"RDUMP [<file>]                dump all user defined register to a file",
"RDSPR <number>                display special purpose register",
"RDPMR <number>                display performance monitor register",
"RM {<nbr>|<name>} <value>      modify general purpose or user defined register",
"RMSPR <number> <value>        modify special purpose register",
"RMPMR <number> <value>        modify performance monitor register",

"RDCSR <addr> [<count>]         display register(s) in DCSR space (Run Control)",
"WDCSR <addr> <value>          write to a register in DCSR space (Run Control)",

"DCACHE <addr> | set>          display L1 data cache content",
"ICACHE <addr> | set>          display L1 inst cache content",
"L2CACHE <set>                  display L2 cache content",
"TLB0 <from> [<to>]            display L2 TLB0 entry",
"TLB1 <from> [<to>]            display L2 TLB1 entry",
"WTLB0 <way> <epn> <rpn>       write to a L2 TLB0 entry",
"WTLB1 <idx> <epn> <rpn>       write to a L2 TLB1 entry",

"RESET [HALT | RUN [time]]     reset the target system, change startup mode",
"BREAK [SOFT | HARD]           display or set current breakpoint mode",
"GO [<pc>]                     set PC and start current core",
"CONT <cores>                  restart multiple cores (<cores> = core bit map)",
"TI [<pc>]                     trace on instruction (single step)",
"TC [<pc>]                     trace on change of flow",
"HALT [<cores>]                force core(s) to debug mode (<cores> = core bit map)",

"BI <addr>                     set instruction hardware breakpoint",
"CI [<id>]                     clear instruction hardware breakpoint(s)",
"BD [R|W] <addr>              set data watchpoint",
"CD [<id>]                     clear data watchpoint(s)",

"INFO                           display information about the current core",
"STATE                           display information about all cores",

"LOAD [<offset>] [<file> [<format>]] load program file to target memory",
"VERIFY [<offset>] [<file> [<format>]] verify a program file to target memory",
"PROG [<offset>] [<file> [<format>]] program flash memory",
"                                <format> : SREC, BIN, AOUT or ELF",
"ERASE [<address> [<mode>]]     erase a flash memory sector, chip or block",
"                                <mode> : CHIP, BLOCK or SECTOR (default is sector)",
"ERASE <addr> <step> <count>    erase multiple flash sectors",
"UNLOCK [<addr> [<delay>]]      unlock a flash sector",
"UNLOCK <addr> <step> <count>    unlock multiple flash sectors",
"FLASH <type> <size> <bus>     change flash configuration",

```

The Telnet commands (cont.):

```
"DELAY <ms>                delay for a number of milliseconds",
"MEMACC {CORE | SAP} [<attr>] select memory access mode (normally SAP)",
"SELECT <core>              change the current core",
"HOST <ip>                  change IP address of program file host",
"PROMPT <string>            defines a new prompt string",
"CONFIG                      display or update BDI configuration",
"CONFIG <file> [<hostIP> [<bdiIP> [<gateway> [<mask>]]]]",
"HELP                        display command list",
"JTAG                        switch to JTAG command mode",
"BOOT [loader]              reboot the BDI and reload the configuration",
"QUIT                       terminate the Telnet session"
```

There are two memory access modes implemented. The default is via System Access Port (SAP). Via SAP physical addresses are used and the access does not make use of any of the cores. SAP accesses memory like an additional bus master. If memory access CORE is selected, the current core executes load/store instructions in its current context. In this mode MMU translation takes place unless the use of real addresses is forced.

For memory accesses via core the <attr> parameter in the Telnet MEMACC command has the following meaning (default is 0):

```
+-----+-----+
|R|-|W|I|M|G|E|-|
+-----+-----+
```

```
R      : 1 = Real Addressing Mode (no MMU translation)
WIMGE: Page attributes for load/store instruction, only used if R = 1
```

For example to access the real address 0x3_8400_0000 with I and G set via the current core:

```
BDI> memacc core 0x94
BDI> md 0x384000000 1
```

For memory accesses via SAP the <attr> defines a delay sometimes necessary when accessing slow memory. The following example define a 100us delay during memory accesses via SAP.

```
BDI> memacc sap 100
```

Memory access mode is a global selection. It is not possible to select different modes for different cores.

Note:

For information about the registers in DCSR space please contact Freescale.

3.5 Multi-Core Support

The bdiGDB system supports concurrent debugging of up to 8 e500mc cores. For every core you can start its own GDB session. The default port numbers used to attach the remote targets are 2001 ... 2008. In the Telnet you switch between the cores with the command "select <0..7>". In the configuration file, simply begin the line with the appropriate core number. If there is no #n in front of a line, the BDI assumes core #0.

The following example defines 4 cores for debugging. For a complete example, look at the configuration examples.

```
[TARGET]
; common parameters
POWERUP      5000          ;start delay after power-up detected in ms
JTAGCLOCK    1             ;use 16 MHz JTAG clock
WAKEUP       200          ;give reset time to complete
;
;=====
; !!!! define the core ID (the #x) without any holes !!!!
; !!!! no need that core ID matches the core number !!!!
; !!!! A valid example is: #1 CPUTYPE P4080 5 0      !!!!
;=====
;
; Core#0 parameters (active vCPU after reset)
#0 CPUTYPE    P4080 0 0      ;Core0 / SOC0
#0 STARTUP    STOP 5000     ;let U-boot setup the system
#0 BREAKMODE  HARD          ;SOFT or HARD, HARD uses PPC hardware breakpoint
#0 STEPMODE   HWBP          ;ICMP or HWBP, HWBP uses a hardware breakpoint
;
; Core#1 parameters
#1 CPUTYPE    P4080 1 0      ;Core1 / SOC0
#1 STARTUP    RUN           ;let core run
;
; Core#2 parameters
#2 CPUTYPE    P4080 2 0      ;Core2 / SOC0
#2 STARTUP    RUN           ;let core run
;
; Core#3 parameters
#3 CPUTYPE    P4080 3 0      ;Core3 / SOC0
#3 STARTUP    RUN           ;let core run
;

[HOST]
IP            151.120.25.112
;
#0 PROMPT     P4080#0>
#1 PROMPT     P4080#1>
#2 PROMPT     P4080#2>
#3 PROMPT     P4080#3>
;
```

Note:

Be aware that via Telnet you select the e500mc core by its BDI core ID (#n). This BDI core ID is not necessary the core number within the SOC. Assuming there are two P4040 daisy chained, you may use BDI core ID #4 to select core 0 in the second P4040.

Multi-Core related Telnet commands:

STATE	Display information about all cores.
SELECT <core>	Change the current Telnet core
CONT <cores>	Restart one or multiple cores <cores> core bit map Example: cont 0x000d ; restart core #0, #2, #3
HALT [<cores>]	Force one or multiple cores to debug mode. If there is no <cores> parameter, the currently selected core is forced to debug mode. <cores> core bit map Example: halt 0x00ff ; halt 8 cores #0...#7

Telnet session:

```

P4080#0>info
  Target CPU      : P4080 Core#0
  Core state      : halted
  Debug entry cause : debug halt
  Current PC      : 0x7ff74c34
  Current CR      : 0x22000084
  Current MSR     : 0x00029200
  Current LR      : 0x7ff74c38
  Current CCSRBAR : 0x0_fe000000
P4080#0>state
Core#0: halted 0x7ff74c34 debug halt
Core#1: running
Core#2: running
Core#3: running
Core#4: running
Core#5: running
Core#6: running
Core#7: running
P4080#0>halt 0xf0
- TARGET: core #4 has entered debug mode
- TARGET: core #5 has entered debug mode
- TARGET: core #6 has entered debug mode
- TARGET: core #7 has entered debug mode
P4080#0>state
Core#0: halted 0x7ff74c34 debug halt
Core#1: running
Core#2: running
Core#3: running
Core#4: halted 0xfffff0f8 debug halt
Core#5: halted 0xfffff0f8 debug halt
Core#6: halted 0xfffff0f8 debug halt
Core#7: halted 0xfffff0f8 debug halt
P4080#0>cont 0x30
P4080#0>state
Core#0: halted 0x7ff74c34 debug halt
Core#1: running
Core#2: running
Core#3: running
Core#4: running
Core#5: running
Core#6: halted 0xfffff0f8 debug halt
Core#7: halted 0xfffff0f8 debug halt
P4080#0>

```

4 Specifications


Operating Voltage Limiting	5 VDC \pm 0.25 V
Power Supply Current	typ. 500 mA max. 1000 mA
RS232 Interface: Baud Rates	9'600, 19'200, 38'400, 57'600, 115'200
Data Bits	8
Parity Bits	none
Stop Bits	1
Network Interface	10 BASE-T
Serial Transfer Rate between BDI and Target	up to 16 Mbit/s
Supported target voltage	1.8 – 5.0 V (3.0 – 5.0 V with Rev. B)
Operating Temperature	+ 5 °C ... +60 °C
Storage Temperature	-20 °C ... +65 °C
Relative Humidity (noncondensing)	<90 %rF
Size	190 x 110 x 35 mm
Weight (without cables)	420 g
Host Cable length (RS232)	2.5 m

Specifications subject to change without notice

5 Environmental notice

Disposal of the equipment must be carried out at a designated disposal site.

6 Declaration of Conformity (CE)


DECLARATION OF CONFORMITY

This declaration is valid for following product:

Type of device: BDM/JTAG Interface
Product name: BDI2000

The signing authorities state, that the above mentioned equipment meets the requirements for emission and immunity according to

EMC Directive 89/336/EEC

The evaluation procedure of conformity was assured according to the following standards:


EN 50081-2
EN 50082-2

This declaration of conformity is based on the test report no. QNL-E853-05-8-a of QUINEL, Zug, accredited according to EN 45001.

Manufacturer:

ABATRON AG
Stöckenstrasse 4
CH-6221 Rickenbach

Authority:


Max Vock
Marketing Director


Ruedi Dummermuth
Technical Director

Rickenbach, May 30, 1998

7 Warranty

ABATRON Switzerland warrants the physical CD, cable, BDI2000 and physical documentation to be free of defects in materials and workmanship for a period of 36 months following the date of purchase when used under normal conditions.

In the event of notification within the warranty period of defects in material or workmanship, ABATRON will replace/repair defective CD, cable, BDI2000 or documentation. The remedy for breach of this warranty shall be limited to replacement and shall not encompass any other damages, including but not limited to loss of profit, special, incidental, consequential, or other similar claims. ABATRON Switzerland specifically disclaims all other warranties- expressed or implied, including but not limited to implied warranties of merchantability and fitness for particular purposes - with respect to defects in the CD, cable, BDI2000 and documentation, and the program license granted herein, including without limitation the operation of the program with respect to any particular application, use, or purposes. In no event shall ABATRON be liable for any loss of profit or any other commercial damage, including but not limited to special, incidental, consequential, or other damages.

Failure in handling which leads to defects are not covered under this warranty. The warranty is void under any self-made repair operation except exchanging the fuse.

Appendices

A Troubleshooting

Problem

The firmware can not be loaded.

Possible reasons

- The BDI is not correctly connected with the target system (see chapter 2).
- The power supply of the target system is switched off or not in operating range (4.75 VDC ... 5.25 VDC) --> MODE LED is OFF or RED
- The built in fuse is damaged --> MODE LED is OFF
- The BDI is not correctly connected with the Host (see chapter 2).
- A wrong communication port (Com 1...Com 4) is selected.

Problem

No working with the target system (loading firmware is ok).

Possible reasons

- Wrong pin assignment (BDM/JTAG connector) of the target system (see chapter 2).
- Target system initialization is not correctly --> enter an appropriate target initialization list.
- An incorrect IP address was entered (BDI2000 configuration)
- BDM/JTAG signals from the target system are not correctly (short-circuit, break, ...).
- The target system is damaged.

Problem

Network processes do not function (loading the firmware was successful)

Possible reasons

- The BDI2000 is not connected or not correctly connected to the network (LAN cable or media converter)
- An incorrect IP address was entered (BDI2000 configuration)

B Maintenance

The BDI needs no special maintenance. Clean the housing with a mild detergent only. Solvents such as gasoline may damage it.

If the BDI is connected correctly and it is still not responding, then the built in fuse might be damaged (in cases where the device was used with wrong supply voltage or wrong polarity). To exchange the fuse or to perform special initialization, please proceed according to the following steps:



Observe precautions for handling (Electrostatic sensitive device)
Unplug the cables before opening the cover.
Use exact fuse replacement (Microfuse MSF 1.6 AF).

1

1.1 Unplug the cables

2

2.1 Remove the two plastic caps that cover the screws on target front side (e.g. with a small knife)

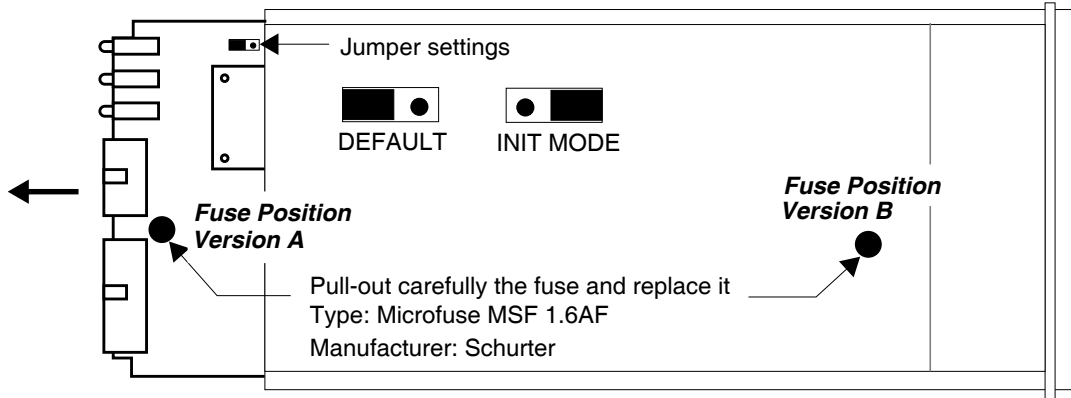
2.2 Remove the two screws that hold the front panel

3

3.1 While holding the casing, remove the front panel and the red elastic sealing

4

4.1 While holding the casing, slide carefully the print in position as shown in figure below

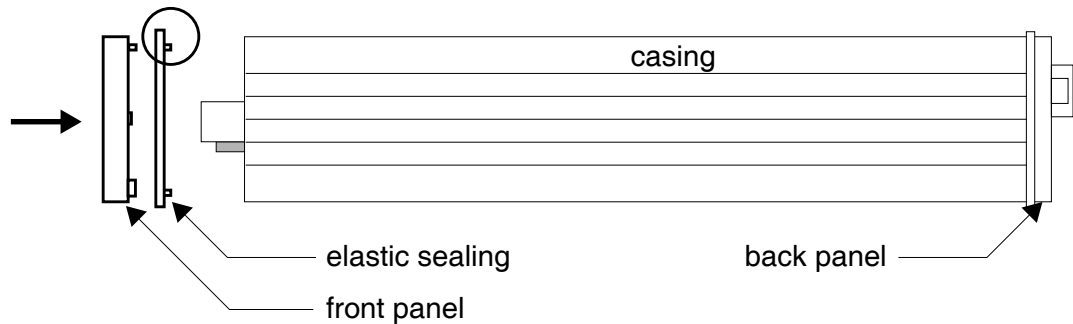


5

Reinstallation

5.1 Slide back carefully the print. Check that the LEDs align with the holes in the back panel.

5.2 Push carefully the front panel and the red elastic sealing on the casing. Check that the LEDs align with the holes in the front panel and that the position of the sealing is as shown in the figure below.



5.3 Mount the screws (do not overtighten it)

5.4 Mount the two plastic caps that cover the screws

5.5 Plug the cables



**Observe precautions for handling (Electrostatic sensitive device)
Unplug the cables before opening the cover.
Use exact fuse replacement (Microfuse MSF 1.6 AF).**

C Trademarks

All trademarks are property of their respective holders.